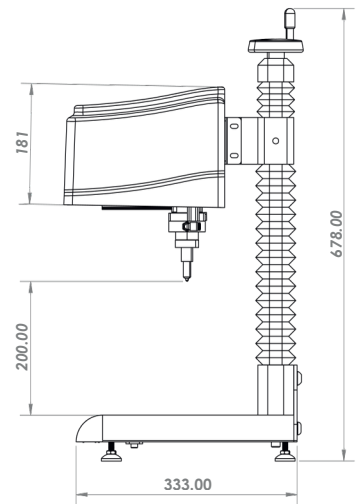
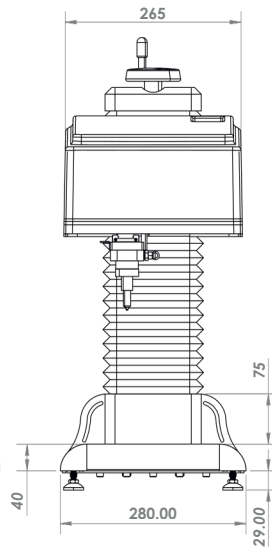
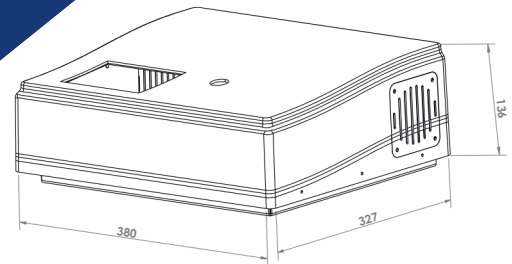


smartmark®

BE
SMART
To
MARK

SM2200

- Single Marking System for All Requirements
- Speedy & Effective Marking
- Standalone or Integrated Option
- Text, Logo & 2D Datamatrix Marking
- Flexible Marking Area



Corporate Office:

Marks Technosystems Pvt Ltd.

Plot No. 10, Survey No. 81/5A/2, Bhagya
Chintamani Nagar, Near NKGSB Bank, Paud
Road, Kothrud, Pune - 411038. Maharashtra,
India.

Tel: +91-20-66743300 / 01

Email: info@smartmarkingsolutions.com

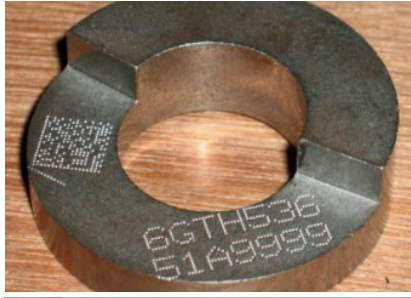
Toll Free

1800 209 5050

www.smartmarkingsolutions.com

Follow us –





TECHNICAL SPECIFICATIONS

- **Electrical Supply:** 240V 50Hz, 110V 60Hz
- **Marking Area:** 100mm x 100mm, 150mm x 100mm, 200mm x 100mm, 300mm x 200mm & More.
- **Memory Capacity:** Up to 1350 layout
- **Stylus:** 4mm x 70mm (Optional - 4mm x 150mm, 4mm x 200mm)
- **Controller:** LED Display
- **Keyboard:** USB Type
- **X, Y Axis Control:** Stepper Motor Driven
- **Start-Stop Box:** Two separate push buttons
- **Marking Format:** Dot matrix 5x7, 7x9 Varidot, 2D Datamatrix Coding
- Digital **8 Input & 6 Output** configurable I/O on board
- Can mark on irregular surfaces, **Pneumatic Driven Longer Throw Pin**

Network



- Mumbai
- New Delhi
- Kolkata
- Chennai
- Ahmedabad
- Bengaluru
- Jamshedpur
- Ludhiana
- Indore
- Pantnagar
- Rajkot
- Hyderabad
- Coimbatore
- Lucknow

Toll Free
1800 209 5050